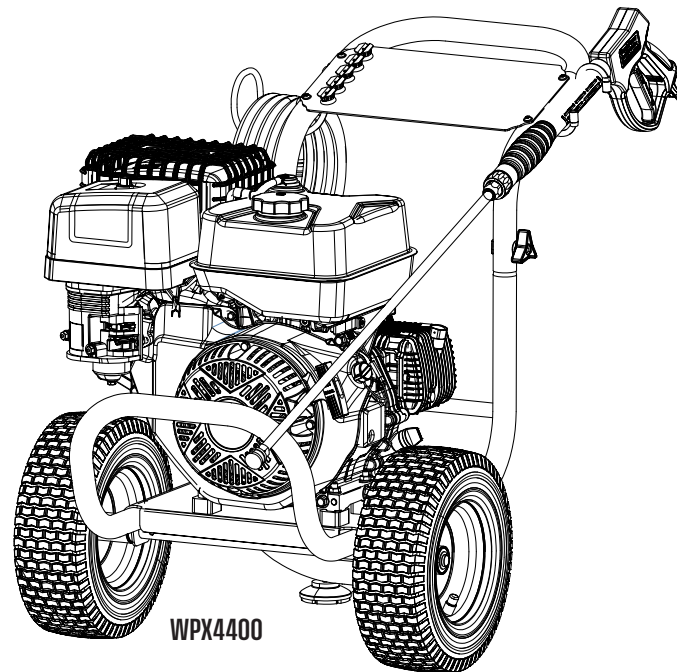




# Replacement Parts List

WPX4400



**WESTINGHOUSE OUTDOOR POWER EQUIPMENT**

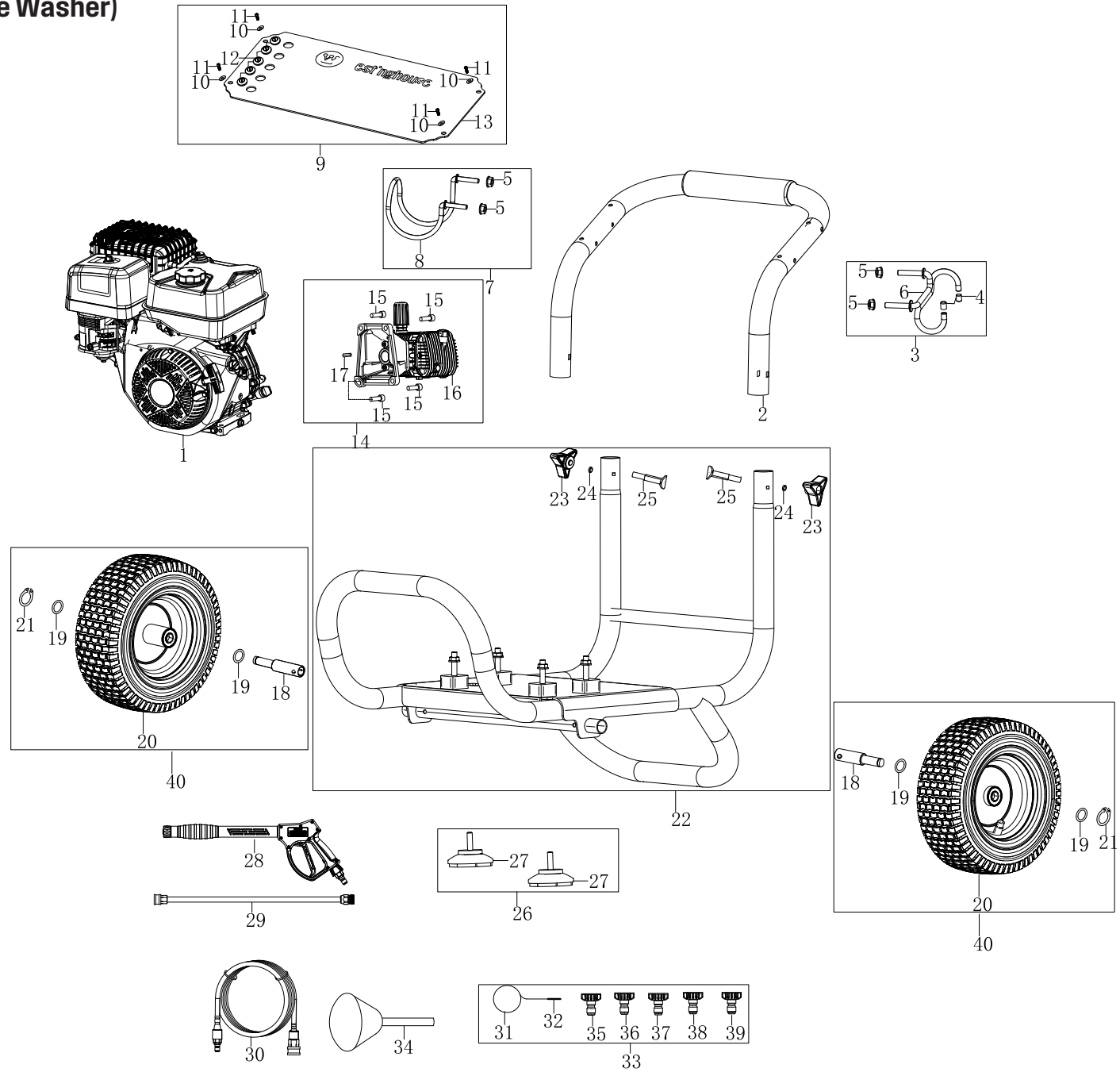
777 Manor Park Drive, Columbus, OH 43228 | [WestinghousePortablePower.com](http://WestinghousePortablePower.com)  
If you have questions or need assistance, please call customer service at 855-944-3571.

123739 Rev02 03/23  
WPX4400 Rev 01



# WPX4400

## Exploded View A (Pressure Washer)



# WPX4400

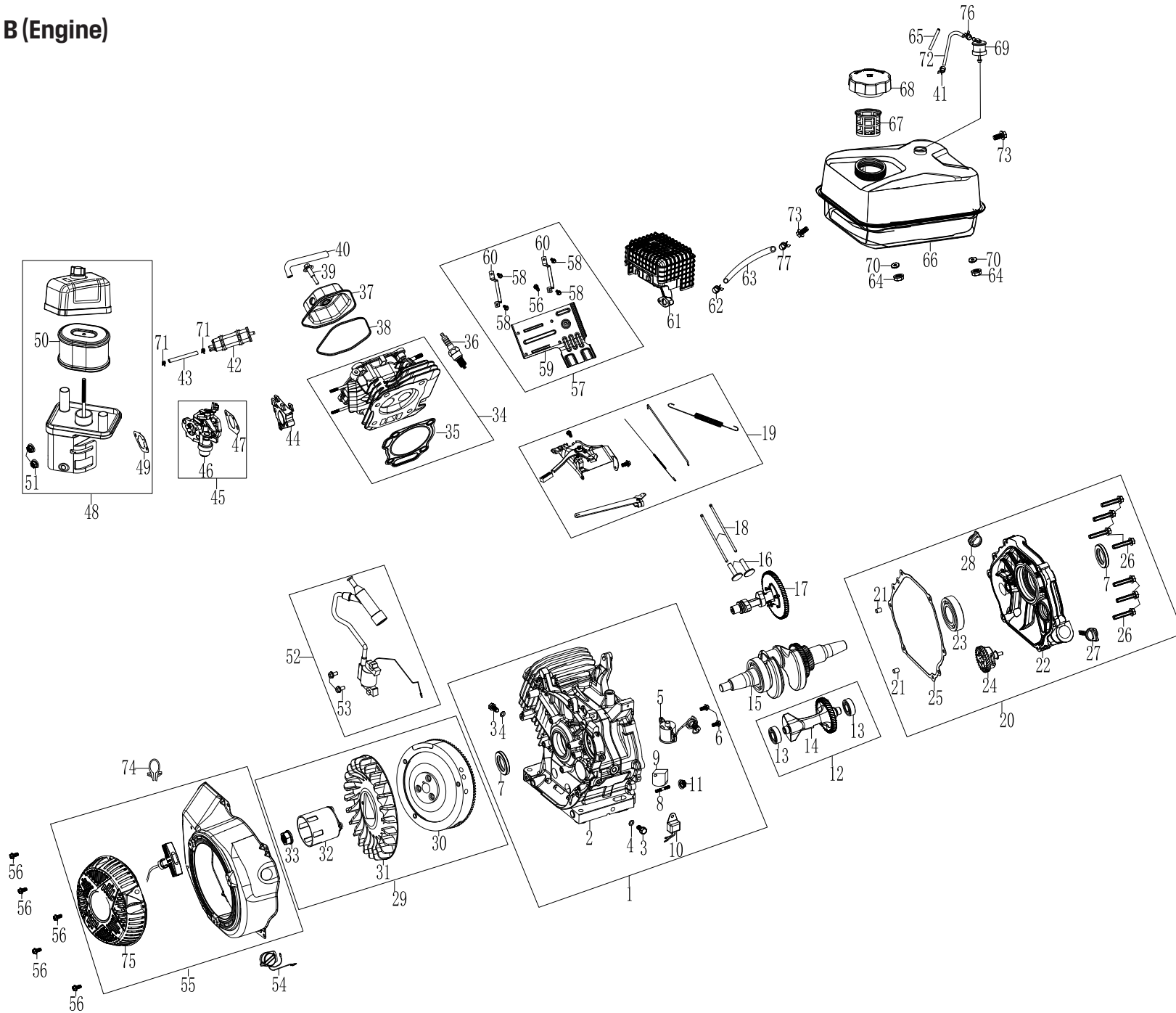
## Parts List A (Pressure Washer)

| No. | Description                          | Part Num.     |
|-----|--------------------------------------|---------------|
| 1   | ENGINE DH420                         | 1148420110101 |
| 2   | FRAME ARMREST KIT ASSEMBLY           | 80030015      |
| 3   | UPPER GUN HOLDER KIT ASSEMBLY        | 80140003      |
| 4   | PLUG                                 | 813030        |
| 5   | NUT M8                               | 90026         |
| 6   | UPPER GUN HOLDER                     | 814091        |
| 7   | HIGH PRESSURE PIPE HOOK KIT ASSEMBLY | 80070012      |
| 8   | HIGH PRESSURE PIPE HOOK              | 814092        |
| 9   | CONTROL PANEL ASSEMBLY               | 80110009      |
| 10  | FLAT WASHER                          | 96804         |
| 11  | BOLT M6*16                           | 91807         |
| 12  | NOZZLE SET                           | 813001        |
| 13  | BILLBOARD                            | 814206-221A   |
| 14  | WATER PUMP KIT ASSEMBLY              | 80400011      |
| 15  | BOLT                                 | 91841         |
| 16  | THE WATER PUMP ASSEMBLY              | 810809        |
| 17  | THE CRANKSHAFT FLAT KEY              | 266506        |
| 18  | HIGH PRESSURE PIPE HOOK              | 816055        |
| 19  | FLAT WASHER                          | 94073         |
| 20  | WHEEL                                | 812037        |

| No. | Description             | Part Num. |
|-----|-------------------------|-----------|
| 21  | SPLIT WASHER            | 94021     |
| 22  | FRAME BASE KIT ASSEMBLY | 80020013  |
| 23  | TRIANGLE KNOB           | 814129    |
| 24  | FLAT WASHER             | 94222     |
| 25  | BOLT                    | 91964     |
| 26  | FOOT PADS ASSEMBLY      | 80210005  |
| 27  | FILTER                  | 813029    |
| 28  | SPRAY GUN               | 817035    |
| 29  | SPRAY ROD ASSEMBLY      | 817084    |
| 30  | HIGH PRESSURE PIPE      | 811511    |
| 31  | NEEDLE                  | 816010    |
| 32  | NEEDLE SHEATH           | 811004    |
| 33  | NOZZLE KIT ASSEMBLY     | 80600007  |
| 34  | FUNNEL                  | 99505     |
| 35  | THE NOZZLE              | 817072    |
| 36  | THE NOZZLE              | 817073    |
| 37  | THE NOZZLE              | 817074    |
| 38  | THE NOZZLE              | 817075    |
| 39  | THE NOZZLE              | 817025    |
| 40  | WHEEL ASSEMBLY          | 80090007  |

# WPX4400

## Exploded View B (Engine)



# WPX4400

## Parts List B (Engine)

| No. | Description                   | Part Num.  |
|-----|-------------------------------|------------|
| 1   | CRANKCASE ASSEMBLY            | 50120086   |
| 2   | CRANKCASE                     | 260211     |
| 3   | BOLTDRAIN PLUG                | 91817      |
| 4   | WASHER,DRAIN PLUG             | 94004      |
| 5   | SWITCH ASSEMBLY,OIL LEVEL     | 265102     |
| 6   | BOLT M6X16                    | 91329      |
| 7   | OIL SEAL                      | 93512      |
| 8   | BOLT M6                       | 91062      |
| 9   | WIRE PRESSING BOX             | 269923     |
| 10  | AMPLIFIER                     | 245104     |
| 11  | NUT M6                        | 90016      |
| 12  | BALANCING SHAFT ASSEMBLY      | 50210002   |
| 13  | BALL BEARING                  | 93029      |
| 14  | BALANCING SHAFT               | 260301     |
| 15  | CRANKSHAFT ASSEMBLY           | 260339     |
| 16  | LIFTER,VALVE                  | 266101     |
| 17  | CAMSHAFT ASSEMBLY             | 272003     |
| 18  | ROD,PUSH                      | 261901     |
| 19  | SPEED CONTROLLER KIT ASSEMBLY | 50060038   |
| 20  | CRANKCASE COVER ASSEMBLY      | 50200074   |
| 21  | DOWEL PIN,CASECOVER           | 240904     |
| 22  | COVER ASSEMBLY, CRANKCASE     | 260121     |
| 23  | BALL BEARING                  | 93030      |
| 24  | GOVERNOR ASSEMBLY             | 264301     |
| 25  | PACKING,CASECOVER             | 96072      |
| 26  | BOLT M8X40                    | 91349      |
| 27  | DIPSTICK                      | 265602-138 |
| 28  | OIL PLUG                      | 261401-138 |
| 29  | FLYWHEEL ASSEMBLY             | 50180032   |
| 30  | FLYWHEEL ASSEMBLY             | 260401     |
| 31  | FAN,RECOIL STARTER            | 264601     |
| 32  | PULLEY,STARTER                | 264501     |
| 33  | NUT                           | 90004      |
| 34  | CYLINDER HEAD ASSEMBLY        | 50020113   |

| No. | Description                                    | Part Num.   |
|-----|--|-------------|
| 35  | GASKET,CYLINDER HEAD                           | 96089       |
| 36  | SPARK PULG                                     | 97108       |
| 37  | COVER COMP,CYLINDER HEAD                       | 261104      |
| 38  | PACKING,HEADCOVER                              | 96075       |
| 39  | LOCK BOLT                                      | 91819       |
| 40  | TUBE,BREATHER                                  | 95605       |
| 41  | CLIP,FUEL LINE                                 | 94423       |
| 42  | CARBON CANISTER ASSEMBLY                       | 260004      |
| 43  | CARBON CANISTER AND AIR FILTER CONNECTING PIPE | 95018       |
| 44  | INSULATOR,CARBURETOR                           | 262301      |
| 45  | CARBURETOR ASSEMBLY                            | 50040161    |
| 46  | CARBURETOR ASSEMBLY                            | 262866-243  |
| 47  | PACKING,CARBURETOR                             | 96081       |
| 48  | AIR CLEANER ASSEMBLY                           | 50030090    |
| 49  | STEEL WASHER                                   | 94227       |
| 50  | FILTER ELEMENT                                 | 5128        |
| 51  | NUT M6   | 90030       |
| 52  | IGNITOR ASSEMBLY                               | 50100025    |
| 53  | BOLT M6X25                                     | 91331       |
| 54  | IGNITION SWITCH                                | 245226-243  |
| 55  | RECOIL STARTER ASSEMBLY                        | 264734-221A |
| 56  | BOLT M6X12                                     | 91325       |
| 57  | WIND DEFLECTOR KIT ASSEMBLY                    | 50130028    |
| 58  | BOLT M5*8                                      | 91436       |
| 59  | SHROUD   | 260506      |
| 60  | WIND-LEAD-COVER MOUNTING BRACKET               | 269933      |
| 61  | EXHAUST MUFFLER KIT ASSEMBLY                   | 50240043    |
| 62  | CLIP,FUEL LINE                                 | 94403       |
| 63  | FUEL LINE                                      | 96958       |
| 64  | NUT M8   | 90028       |
| 65  | PROTECTIVE CASE                                | 95903       |
| 66  | FUEL TANK ASSEMBLY                             | 263134L-116 |
| 67  | FUEL TANK FILTER                               | 5989        |
| 68  | FUEL CAP                                       | 519201      |

## WPX4400

### Parts List B (Engine)

| No. | Description                                   | Part Num. |
|-----|---|-----------|
| 69  | ONE WAY VALVE ASSEMBLY                        | 245405    |
| 70  | FUEL TANK ISOLATION PAD                       | 263401    |
| 71  | CLIP,FUEL LINE                                | 503034    |
| 72  | CARBON CANISTER AND FUEL TANK CONNECTING PIPE | 95143     |
| 73  | BOLT M8*25                                    | 91346     |
| 74  | Q-SHAPE CABLE CLIP                            | 260801    |
| 75  | START PULL                                    | 5981-116  |
| 76  | CLIP,FUEL LINE                                | 94408     |
| 77  | CLIP,FUEL LINE                                | 94440     |

