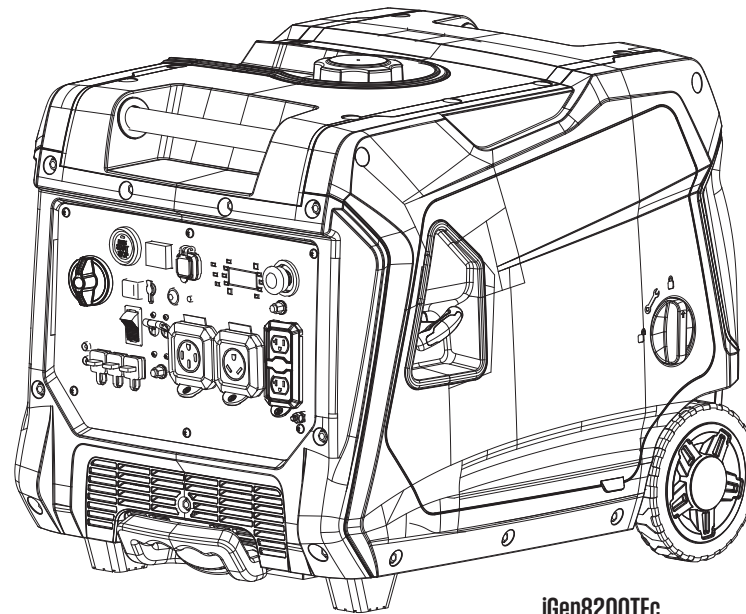




# Replacement Parts List

iGen8200Tfc



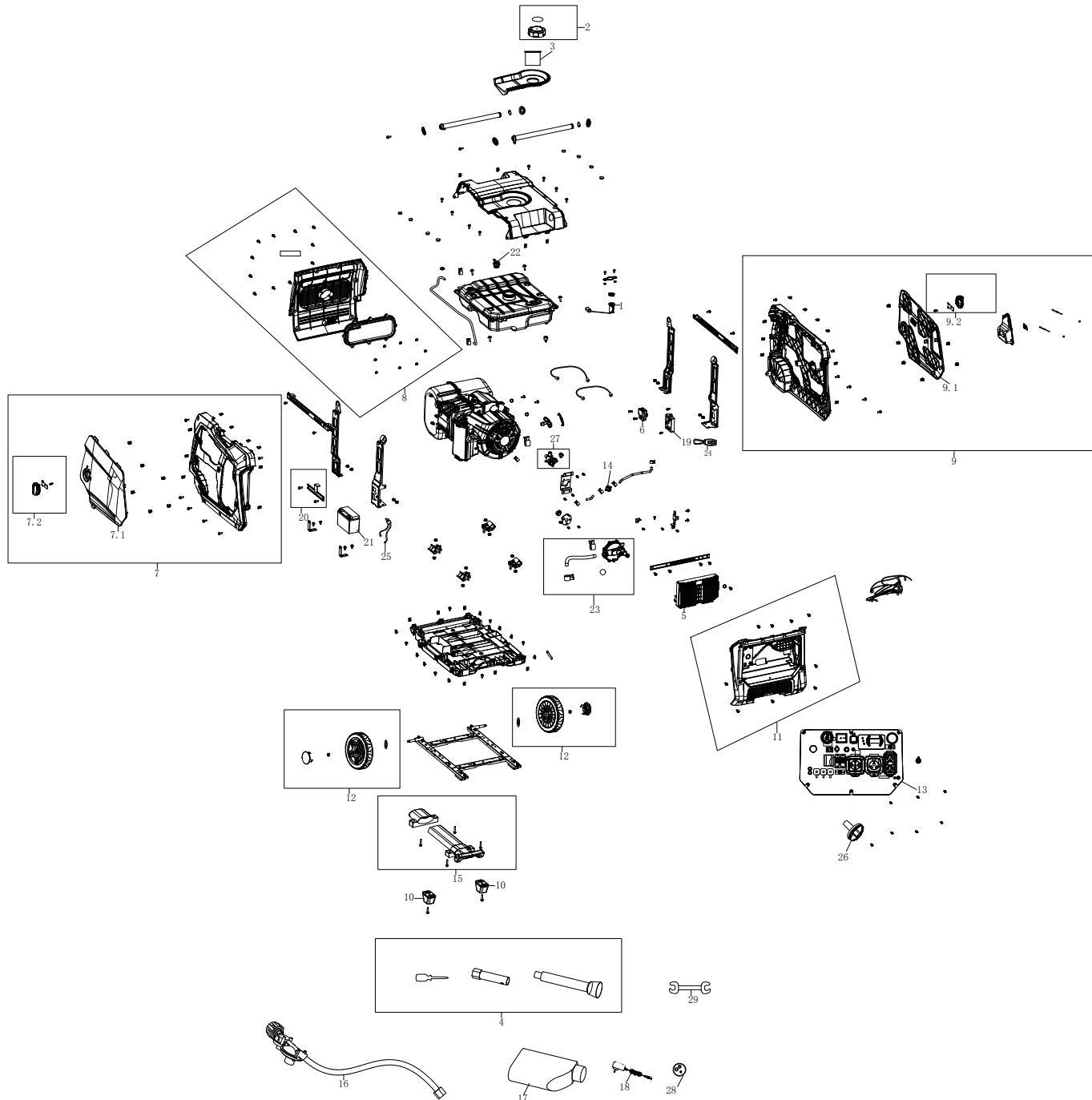
iGen8200Tfc

**WESTINGHOUSE OUTDOOR POWER EQUIPMENT**

777 Manor Park Drive, Columbus, OH 43228 | [WestinghousePortablePower.com](http://WestinghousePortablePower.com)  
If you have questions or need assistance, please call customer service at 855-944-3571.

100919120 05/26  
iGen8200Tfc Rev03

# iGen8200TFc Exploded View A Generator

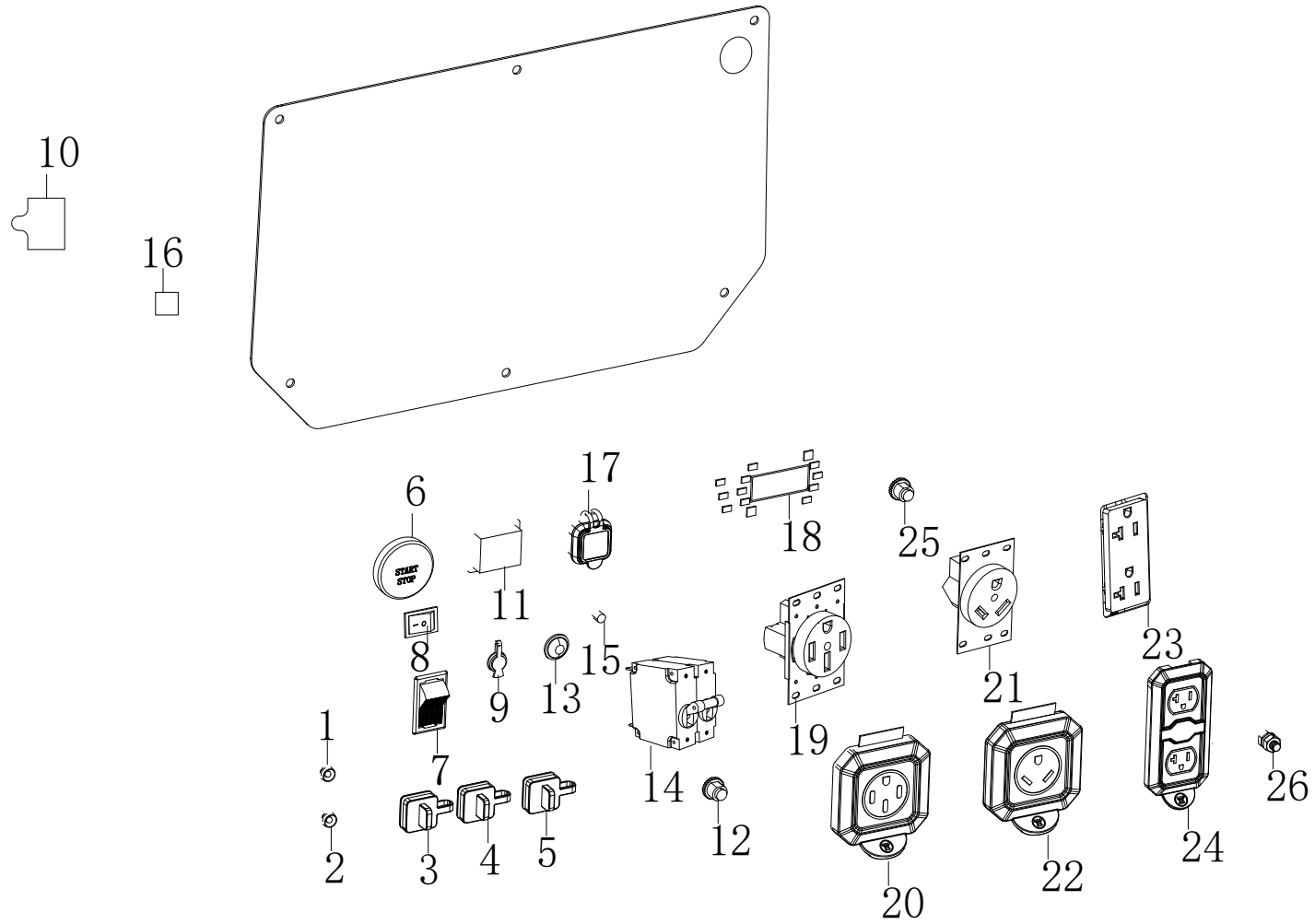


## iGen8200TFc Parts List A (Generator)

| No. | Description                               | Part Num.   |
|-----|---|-------------|
| 1   | GASOLINE SENSOR                           | 506979      |
| 2   | FUEL TANK CAP ASSEMBLY                    | 100560004   |
| 3   | FUEL TANK FILTER                          | 503671      |
| 4   | SPARK PLUG TOOL, FUNNEL, SCREW DRIVER KIT | 100440014   |
| 5   | INVERTER MODULE                           | 506681      |
| 6   | CO SENSOR                                 | 505397      |
| 7   | LEFT FRAME KIT ASSEMBLY                   | 100280131   |
| 7.1 | LEFT PANEL                                | 506651-221A |
| 7.2 | KNOB KIT ASSEMBLY                         | 100340012   |
| 8   | MUFFLER PANEL KIT ASSEMBLY                | 100030034   |
| 9   | RIGHT FRAME KIT ASSEMBLY                  | 100280132   |
| 9.1 | RIGHT PANEL                               | 506652-221A |
| 9.2 | KNOB KIT ASSEMBLY                         | 100340012   |
| 10  | ISOLATION PAD                             | 503026      |
| 11  | CONTROL PANEL REAR COVER KIT ASSEMBLY     | 100140032   |
| 12  | WHEEL KIT ASSEMBLY                        | 100160016   |
| 13  | PANEL ASSEMBLY                            | 100951275   |

| No. | Description   | Part Num.  |
|-----|---|------------|
| 14  | FUEL FILTER   | 516401     |
| 15  | HANDLE ASSEMBLY                                     | 100310009  |
| 16  | PRESSURE REGULATOR (In-line)                        | 545353     |
| 17  | .7L OIL BOTTLE                                      | 99635      |
| 18  | BATTERY CHARGER INPUT : 100-240VAC 0.8A MAX 50/60Hz | 511076     |
| 19  | CONTROL MODULE                                      | 506769     |
| 20  | BATTERY HOLDER ASSEMBLY                             | 100570002  |
| 21  | BATTERY 12V 7ah 10 hr (6-FM-7)                      | 511089     |
| 22  | BREATHER VALVE                                      | 245406-126 |
| 23  | PRESSURE REDUCING VALVE KIT ASSEMBLY                | 100010020  |
| 24  | REMOTE KEY  | 506693     |
| 25  | BATTERY WIRING ASSEMBLY                             | 506254     |
| 26  | FUEL SWITCH KNOB                                    | 506656     |
| 27  | FUEL SWITCH ASSEMBLY                                | 100600003  |
| 28  | HIGH ALTITUDE KIT CARBURETOR                        | 518358-01  |
| 29  | FIXED WRENCH  | 99585      |

**iGen8200TFc  
Exploded View B  
Control Panel**

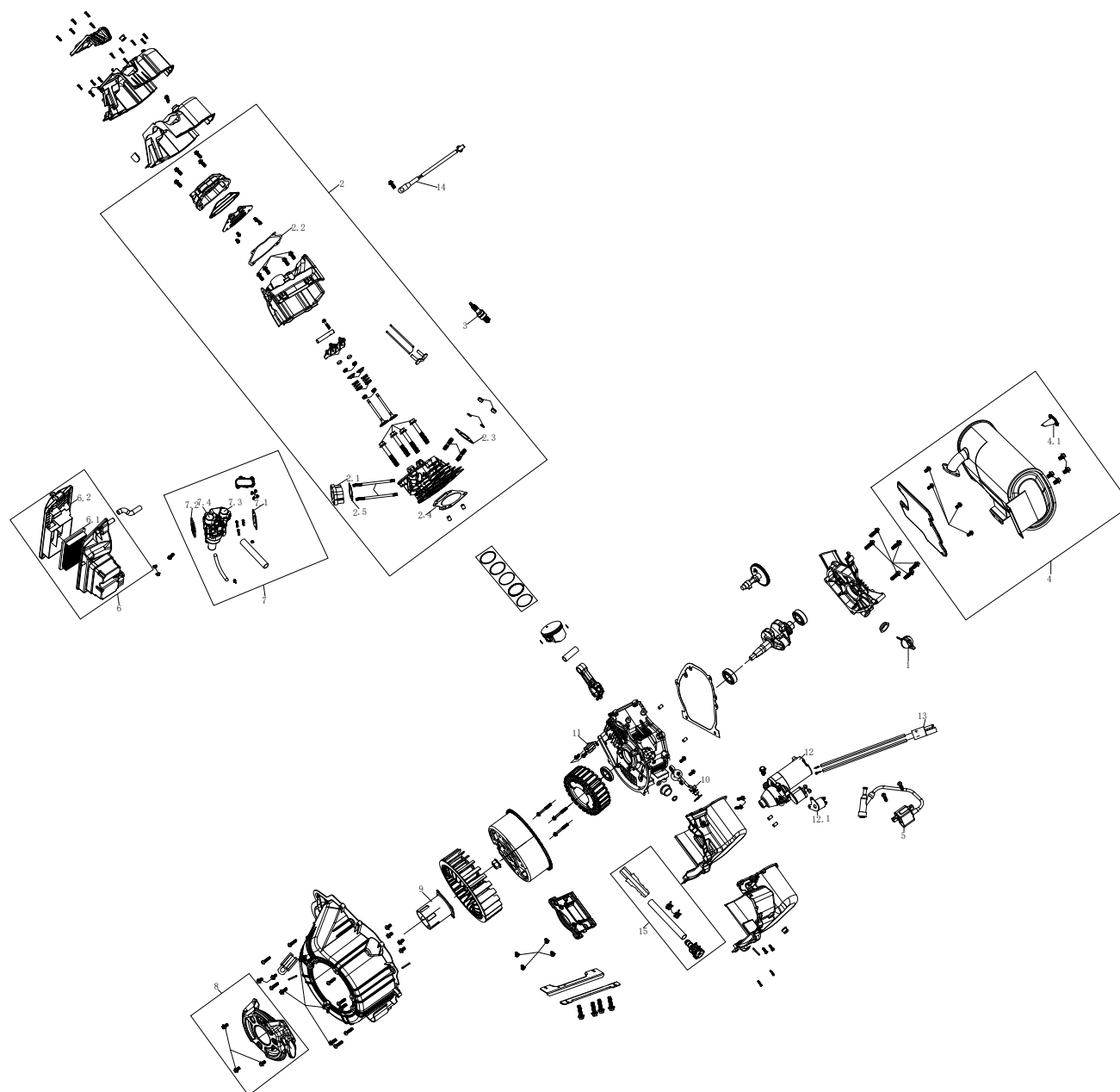


**iGen8200TFc**  
**Parts List B (Control Panel)**

| No. | Description                    | Part Num. |
|-----|--------------------------------|-----------|
| 1   | CO SHUTOFF EVENT INDICATOR     | 9322      |
| 2   | SYSTEM FAULT EVENT INDICATOR   | 9326      |
| 3   | RED PARALLEL SOCKET ASSEMBLY   | 9418      |
| 4   | WHITE PARALLEL SOCKET ASSEMBLY | 9419      |
| 5   | BLACK PARALLEL SOCKET ASSEMBLY | 9422      |
| 6   | PUSH BUTTON START/STOP         | 9405      |
| 7   | VOLTAGE-SELECTED SWITCH        | 6508      |
| 8   | ECO SWITCH ASSEMBLY            | 9421      |
| 9   | CHARGING SOCKET                | 9226      |
| 10  | EC0817 MODULE                  | 9463      |
| 11  | FLAMEOUT SWITCH ASSEMBLY       | 9445      |
| 12  | 30A THERMAL PROTECTOR          | 9414-30   |
| 13  | VOLTAGE RESET SWITCH           | 9230      |

| No. | Description                      | Part Num. |
|-----|----------------------------------|-----------|
| 14  | MAIN BREAKER                     | 9446-50   |
| 15  | CONTROL PANEL LIGHTS SWITCH      | 9406      |
| 16  | RECTIFIER BRIDGE                 | 1424      |
| 17  | USB                              | 9357      |
| 18  | DATA CENTER                      | 9428      |
| 19  | AC120/240V 50A 14-50R RECEPTACLE | 6649      |
| 20  | WATERPROOF CAP                   | 6850      |
| 21  | TT-30R RECEPTACIE                | 6015      |
| 22  | TT-30R WATERPROOF CAP            | 6849      |
| 23  | DUPLEX RS-20A GFCI OUTLET        | 6275      |
| 24  | RS-20A GFCI WATERPROOF CAP       | 6845      |
| 25  | 20A THERMAL PROTECTOR            | 9414-20   |
| 26  | GROUNDING BOLT                   | 9132      |

# iGen8200TFc Exploded View C Engine



## iGen8200TFc Parts List C (Engine)

| No. | Description                  | Part Num.  |
|-----|------------------------------|------------|
| 1   | DIPSTICK ASSEMBLY            | 330084-295 |
| 2   | CYLINDER HEAD KIT ASSEMBLY   | 50020182   |
| 2.1 | CARBURETOR CONNECTION BLOCK  | 400524     |
| 2.2 | CYLINDER HEAD COVER GASKET   | 96390      |
| 2.3 | EXHAUST GASKET               | 550609     |
| 2.4 | CYLINDER HEAD GASKET         | 96279      |
| 2.5 | INTAKE GASKET                | 96235      |
| 3   | SPARK PLUG F7TC 21mm         | 97108      |
| 4   | EXHAUST MUFFLER KIT ASSEMBLY | 50240058   |
| 4.1 | SPARK ARRESTER               | 6967       |
| 5   | IGNITION COIL                | 400152     |
| 6   | AIR FILTER HOUSING ASSEMBLY  | 400108     |
| 6.1 | AIR FILTER                   | 2403       |
| 6.2 | AIR FILTER TOP COVER         | 2402       |

| No.  | Description                | Part Num. |
|------|----------------------------|-----------|
| 7    | CARBURETOR KIT ASSEMBLY    | 50040265  |
| 7.1  | CARBURETOR GASKET          | 96224     |
| 7.2  | STEEL WASHER               | 94324     |
| 7.3  | STEPPER MOTOR              | 507153    |
| 7.4  | STEPPER MOTOR              | 503579    |
| 8    | START PULLER KIT ASSEMBLY  | 50580053  |
| 9    | STARTER PULLEY             | 404501    |
| 10   | OIL SENSOR                 | 245106    |
| 11   | TRIGGER                    | 339902    |
| 12   | STARTER MOTOR KIT ASSEMBLY | 97492     |
| 12.1 | STARTER SOLENOID           | 2404      |
| 13   | BATTERY CABLE              | 400151    |
| 14   | TEMPERATURE SENSOR         | 504739    |
| 15   | DRAIN PLUG ASSEMBLY        | 50550020  |