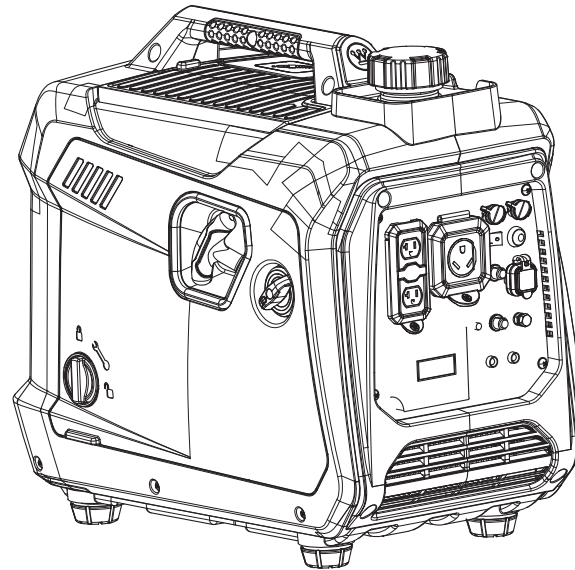




# Replacement Parts List

iGen2800c

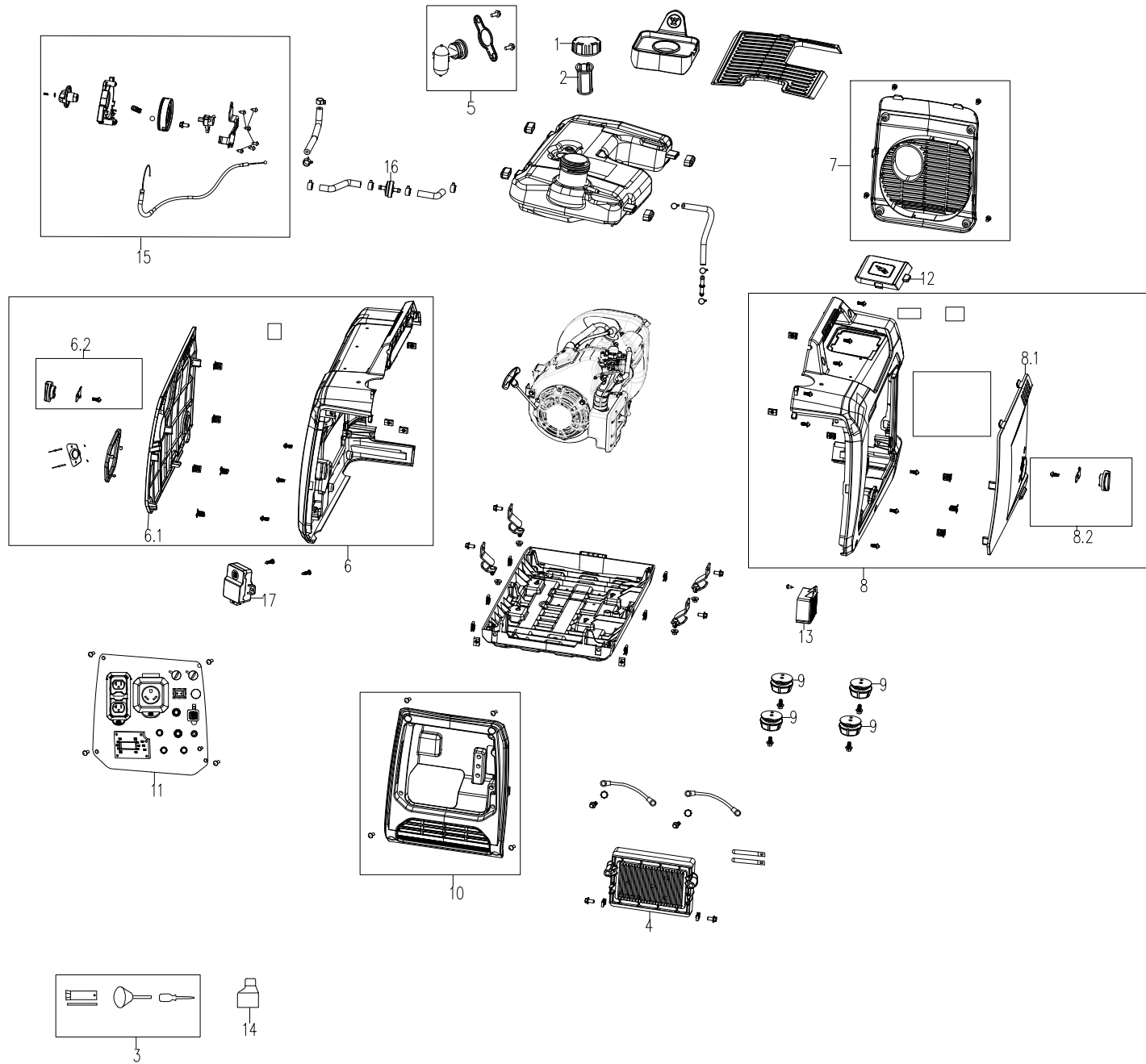


iGen2800c

**WESTINGHOUSE OUTDOOR POWER EQUIPMENT**

777 Manor Park Drive, Columbus, OH 43228 | [WestinghousePortablePower.com](http://WestinghousePortablePower.com)  
If you have questions or need assistance, please call customer service at 855-944-3571.

# iGen2800c Exploded View A Generator



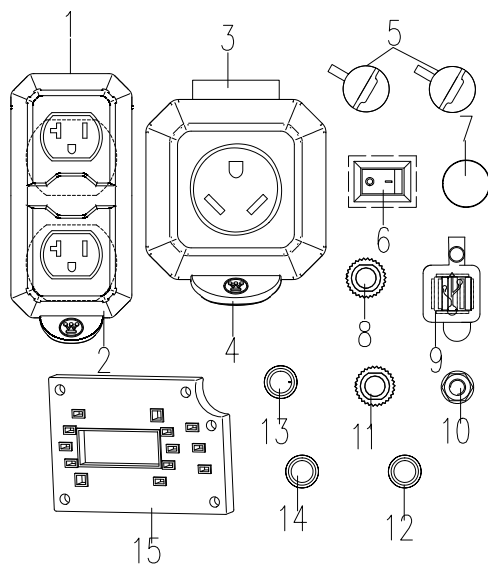
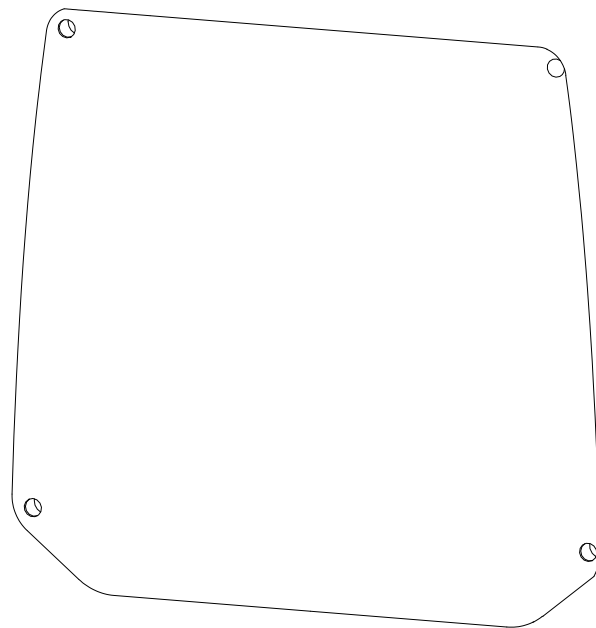
## iGen2800c

### Parts List A (Generator)

No.	Description	Part Num.
1	FUEL CAP	505349
2	FUEL STRAINER	504628
3	SPARK PLUG TOOL, FUNNEL, SCREW DRIVER KIT	100440014
4	INVERTER MODULE	100100045
5	INVERTER MODULE	505373
6	LEFT PANEL KIT ASSEMBLY	100150077
6.1	LEFT PANEL	504621-221I
6.2	KNOB KIT ASSEMBLY	100340007
7	MUFFLER PANEL	100030017
8	RIGHT FRAME KIT ASSEMBLY	100280139
8.1	RIGHT PANEL	504539-221

No.	Description	Part Num.
8.2	KNOB KIT ASSEMBLY	100340007
9	ISOLATION PAD	504745
10	CONTROL PANEL BACK COVER	100140033
11	PANEL ASSEMBLY	505426
12	OBSERVATION COVER	504542-126
13	DC VOLTAGE REGULATOR	505467
14	OIL BOTTLE	99628
15	FUEL SWITCH KIT ASSEMBLY	100360006
16	FUEL FILTER	516401
17	CO MODULE	599098

**iGen2800c**  
**Exploded View B**  
**Control Panel**



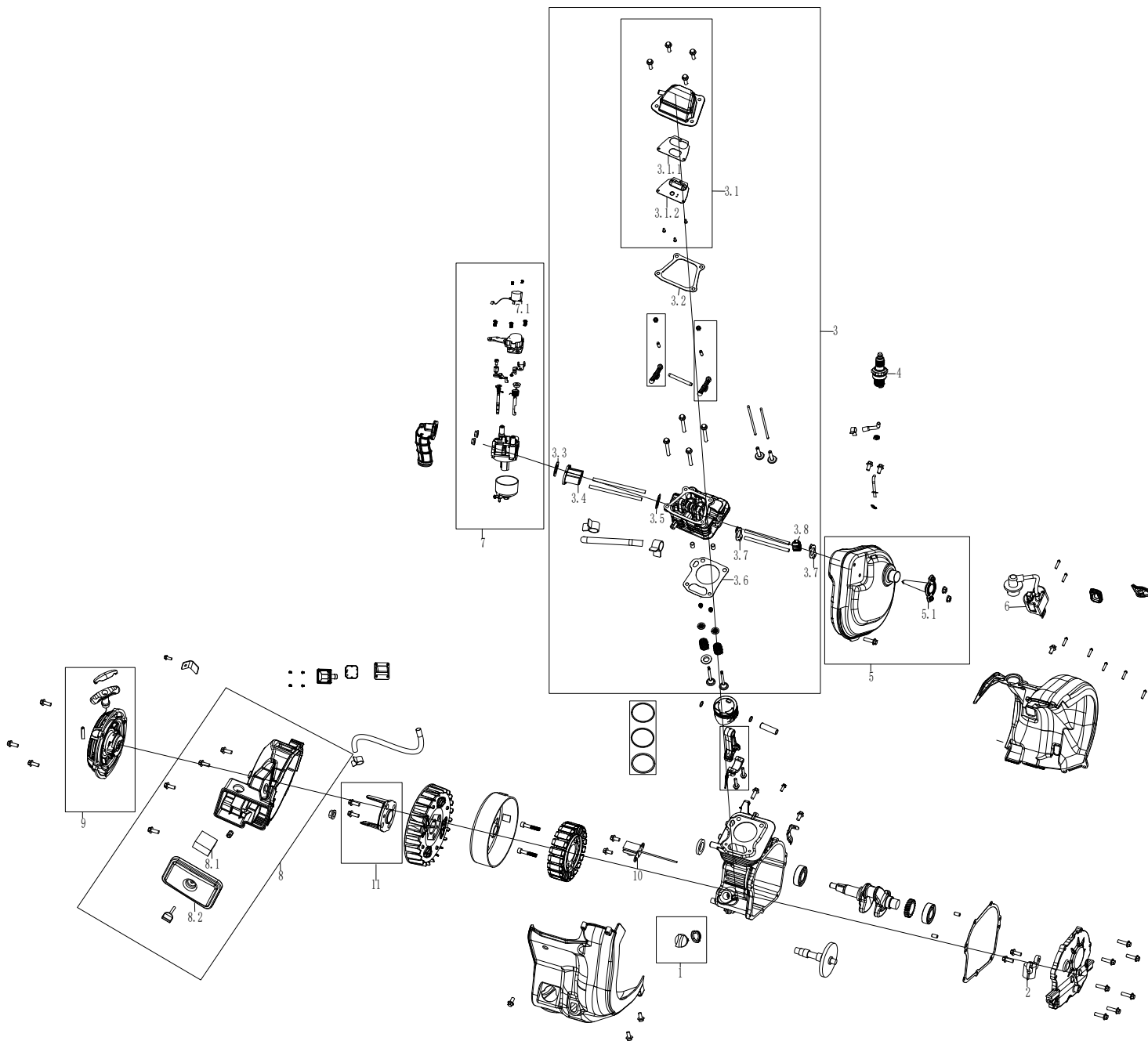
## iGen2800c

### Parts List B (Control Panel)

No.	Description	Part Num.
1	L5-20R RECEPTACLE	6032
2	L5-20R DUST COVER	9194
3	TT-30R RECEPTACIE	6015
4	TT-30R DUST COVER	6849
5	PARALLEL SOCKET ASSEMBLY	9411
6	ECO SWITCH ASSEMBLY	9421
7	VOLTAGE RESET SWITCH	9230
8	20A THERMAL PROTECTOR	9414-20

No.	Description	Part Num.
9	USB	9400
10	GROUNDING BOLT	9074
11	30A THERMAL PROTECTOR	9414-30
12	CO SHUTOFF EVENT INDICATOR	9322
13	POWER INDICATOR LIGHT	9406
14	SYSTEM FAULT EVENT INDICATOR	9326
15	DATA CENTER	9448

# iGen2800c Exploded View C Engine



**iGen2800c**  
**Parts List C (Engine)**

No.	Description	Part Num.
1	DIPSTICK	50350015
2	OIL SENSOR	345020
3	CYLINDER HEAD KIT ASSEMBLY	50020183
3.1	CYLINDER HEAD COVER KIT ASSEMBLY	50010092
3.1.1	BTEATHING BOARD GASKET	201104
3.1.2	CYLINDER COVER BREATH BOARD	201103
3.2	CYLINDER HEAD COVER GASKET	96006
3.3	CARBURETOR PAPER PAD	96121
3.4	CARBURATOR THERMAL INSULATION	345010
3.5	CONNECTING BLOCK GASKET	96007
3.6	CYLINDER HEAD GASKET	96387
3.7	EXHAUST GASKET	345029
3.8	HANDLE CONNECTOR	200183

No.	Description	Part Num.
4	SPARK PLUG	97130
5	EXHAUST MUFFLER KIT ASSEMBLY	50240059
5.1	SPARK ARRESTER	6967
6	IGNITION COIL	345073
7	CARBURETOR KIT ASSEMBLY	50040268
7.1	STEPPER MOTOR	330089
8	BLOWER HOUSING KIT ASSEMBLY	50590043
8.1	AIR FILTER	2410
8.2	AIR FILTER TOP COVER	2411
9	START PULLER ASSEMBLY	50580055
10	IGNITION TRIGGER	345022
11	MOTOR STATOR CUP ASSEMBLY	50180043