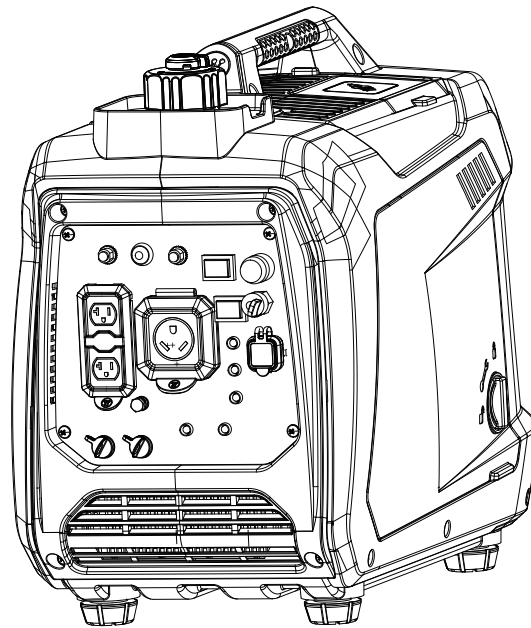




Replacement Parts List

iGen2550DFc



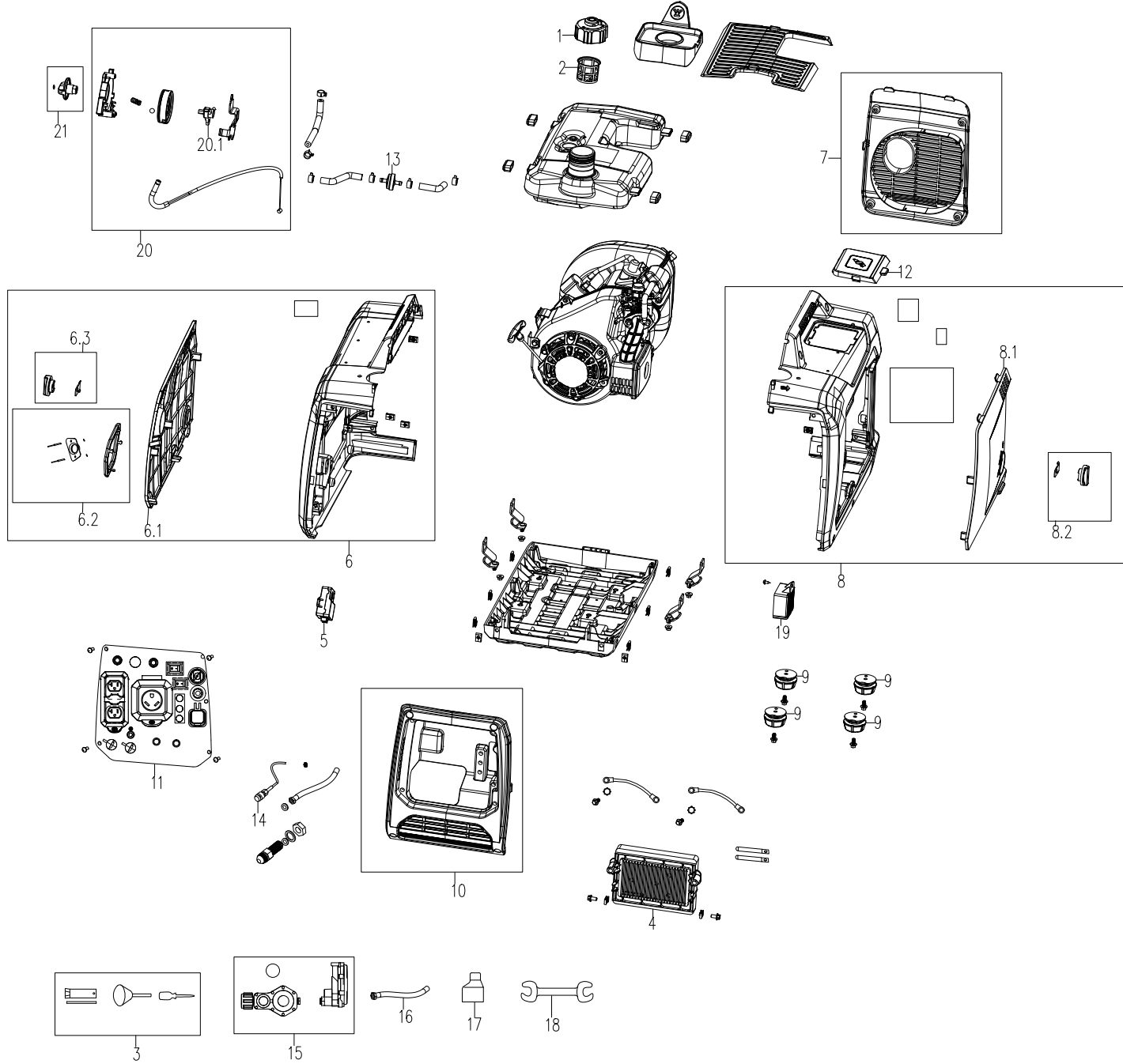
iGen2550DFc

WESTINGHOUSE OUTDOOR POWER EQUIPMENT

777 Manor Park Drive, Columbus, OH 43228 | WestinghousePortablePower.com
If you have questions or need assistance, please call customer service at 855-944-3571.

100919115 04/26
iGen2550DFc Rev05

iGen2550DFc Exploded View A Generator

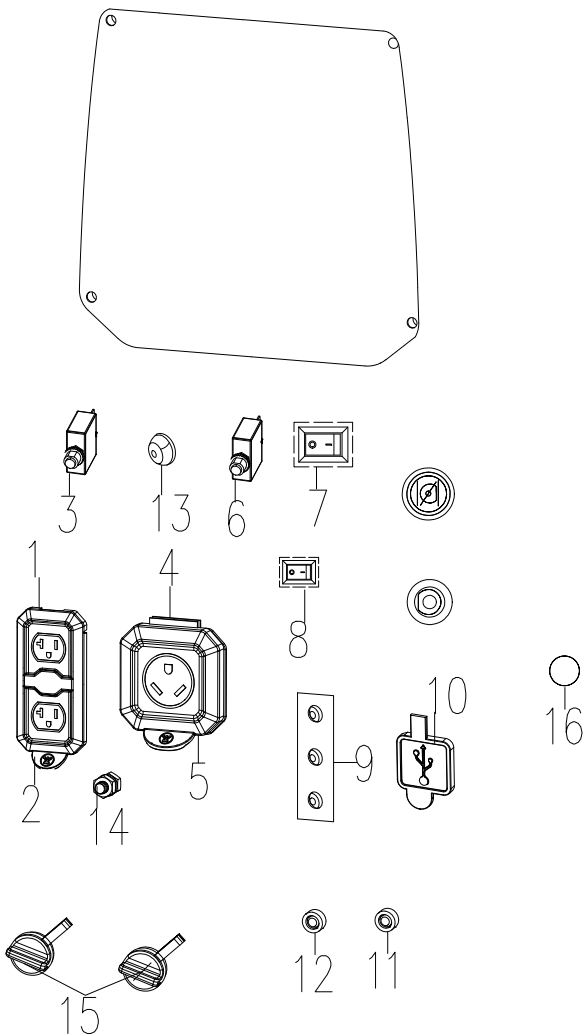


iGen2550DFc Parts List A (Generator)

No.	Description	Part Num.
1	FUEL TANK CAP	500005
2	FUEL STRAINER	500010
3	SPARK PLUG TOOL, FUNNEL, SCREW DRIVER KIT	100440014
4	INVERTER MODULE	100874958
5	CO SENSOR	599098
6	LEFT PANEL KIT ASSEMBLY	100150074
6.1	LEFT PANEL	504621-221B
6.2	RECOIL HANDLE TRIM RING	100410004
6.3	KNOB KIT ASSEMBLY	100340017
7	MUFFLER PANEL KIT ASSEMBLY	100030010
8	RIGHT FRAME KIT ASSEMBLY	100280143
8.1	RIGHT PANEL	504539-221
8.2	KNOB KIT ASSEMBLY	100340017
9	ISOLATION PAD	504745

No.	Description	Part Num.
10	CONTROL PANEL BACK COVER KIT ASSEMBLY	100140034
11	PANEL ASSEMBLY	505600
12	SPARK PLUG COVER	504542-126
13	FUEL FILTER	516401
14	CHOKE CABLE	504809
15	LOW PRESSURE REGULATOR W/Primer Button ASSEMBLY(Onboard)	100010021
16	LOW PRESSURE HOSE 4FT	504934
17	350 ML OIL BOTTLE	99628
18	FIXED WRENCH	99585
19	DC VOLTAGE REGULATOR	504607
20	FUEL SWITCH KIT ASSEMBLY	100360044
20.1	FUEL SWITCH	504410
21	FUEL SWITCH KNOB ASSEMBLY	100340018

**iGen2550DFc
Exploded View B
Control panel**

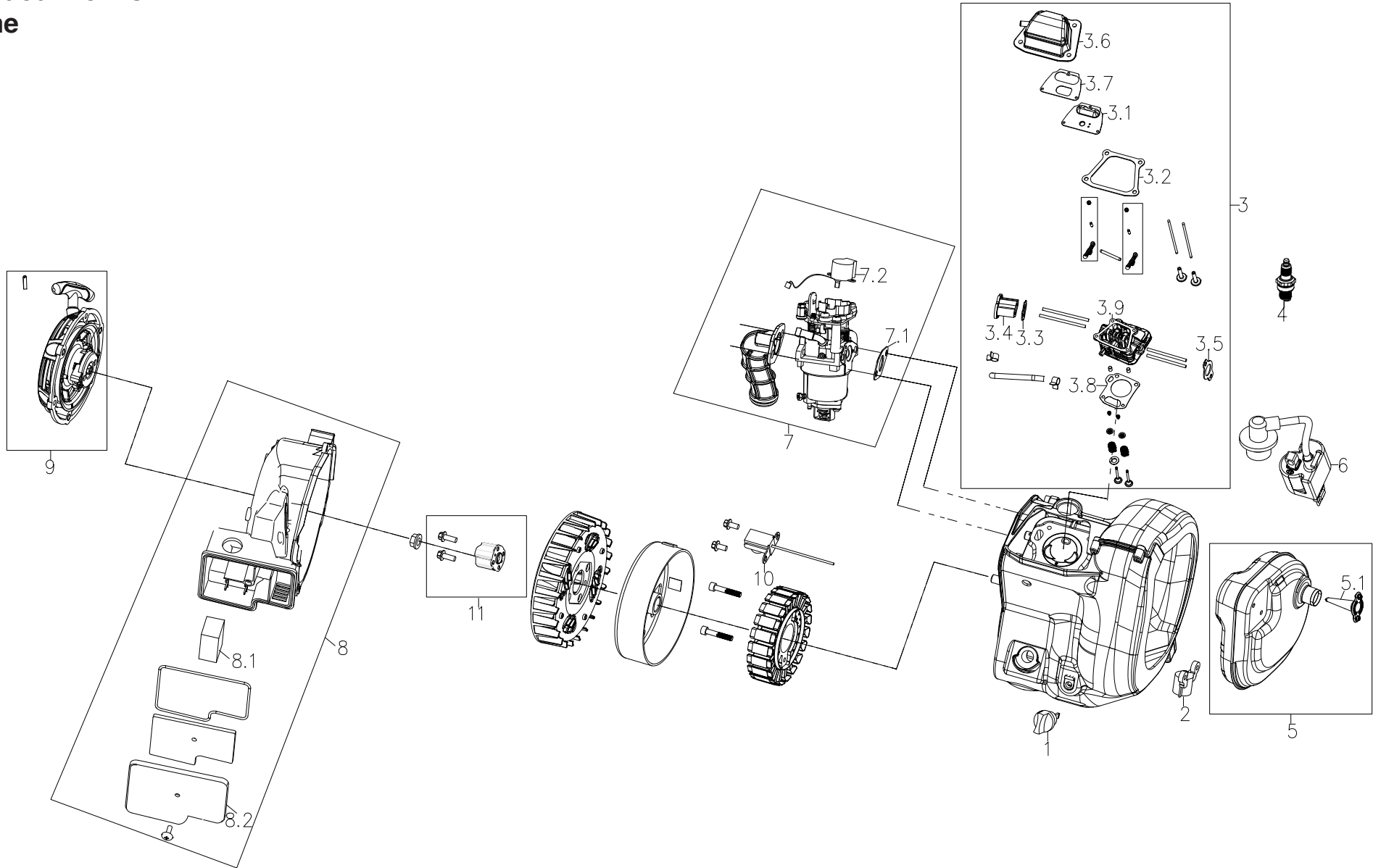


**iGen2550DFc
Parts List B (Control panel)**

No.	Description	Part Num.
1	L5-20R RECEPTACLE	6032
2	L5-20R DUST COVER	9194
3	20A THERMAL PROTECTOR	9414-20
4	TT-30R RECEPTACIE	6015
5	TT-30R DUST COVER	6849
6	30A THERMAL PROTECTOR	9414-30
7	IGNITION SWITCH ASSEMBLY (SC)	9421
8	ECO SWITCH ASSEMBLY (SC)	9421

No.	Description	Part Num.
9	CO INDICATOR ASSEMBLY	9415
10	USB	9400
11	CO SHUTOFF EVENT INDICATOR	9322
12	SYSTEM FAULT EVENT INDICATOR	9326
13	OVERLOAD RESET BUTTON	9230
14	GROUNDING BOLT	9074
15	PARALLEL SOCKET ASSEMBLY	9411
16	INLET PLUG	500232

iGen2550DFc Exploded View C Engine



iGen2550DFc Parts List C (Engine)

No.	Description	Part Num.
1	DIPSTICK ASSEMBLY	50350015
2	OIL SENSOR	345020
3	CYLINDER HEAD KIT ASSEMBLY	50020201
3.1	CYLINDER HEAD BREATHING PLATE	201103
3.2	VALVE COVER GASKET	96006
3.3	CONNECTING BLOCK GASKET	96007
3.4	CARBURETOR CONNECTION BLOCK	345010
3.5	EXHAUST GASKET	345029
3.6	VALVE COVER	345006
3.7	BTEATHING BOARD GASKET	201104
3.8	CYLINDER HEAD GASKET	96005
3.9	CYLINDER HEAD	345003
4	SPARK PLUG	97101

No.	Description	Part Num.
5	EXHAUST MUFFLER KIT ASSEMBLY	50240029
5.1	SPARK ARRESTER	6967
6	IGNITION COIL	345016
7	CARBURETOR ASSEMBLY	50040253
7.1	REAR CARBURETOR GASKET	96121
7.2	STEPPER MOTOR (Choke)	345026
8	IMPELLER SHROUD	50590039
8.1	AIR FILTER ELEMENT	2221
8.2	AIR FILTER COVER	2222
9	RECOIL STARTER ASSEMBLY	50580051
10	IGNITION TRIGGER	345022
11	MOTOR STATOR CUP ASSEMBLY	50180043