



# Quick Start Guide

WH22FA9600U



For customer support,  
scan the QR code.  
Para atención al cliente,  
escanee el código QR.  
Pour le support client,  
scannez le code QR.

Tools you will need:



## ASSEMBLY / MONTAJE / ASSEMBLAGE

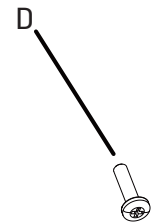
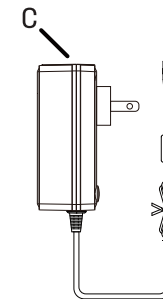
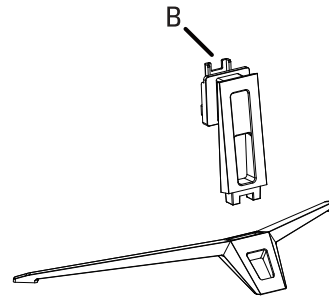
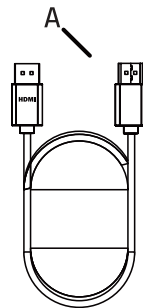
### What's included:

A - HDMI Cable

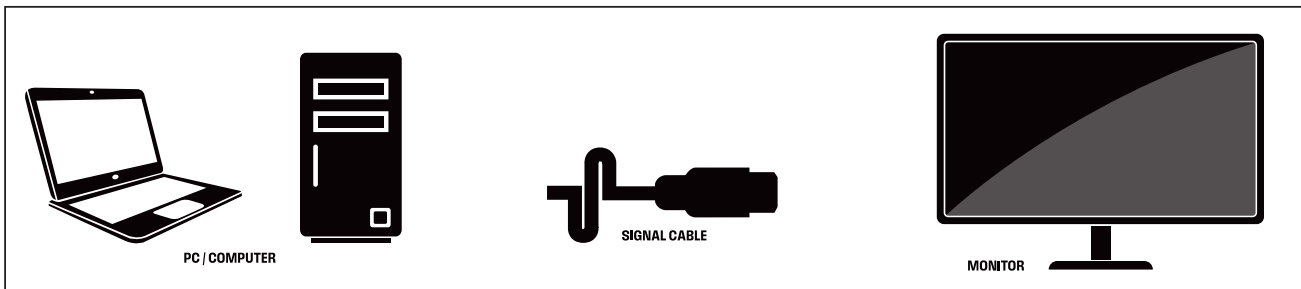
B - Base/Stand

C - Adapter

D - Screw



### 1. Connecting to your PC.



**HDMI**<sup>®</sup>

HIGH DEFINITION MULTIMEDIA INTERFACE  
The terms HDMI and HDMI High-Definition Multimedia Interface, and the HDMI Logo are trademarks or registered trademarks of HDMI Licensing Administrator, Inc. in the United States and other countries.

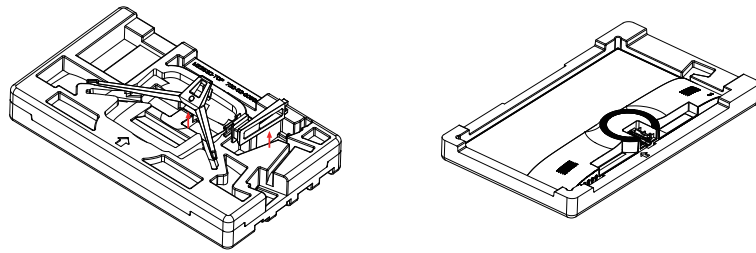
Questions? Call (800) 701-0680 or  
visit [westinghouse.com/support](http://westinghouse.com/support)

¿Tiene preguntas? Llame al (800) 701-0680 o visite [westinghouse.com/support](http://westinghouse.com/support)  
Des questions? Téléphoner au (800) 701-0680 ou visitez [westinghouse.com/support](http://westinghouse.com/support)

## ASSEMBLY / MONTAJE / ASSEMBLAGE

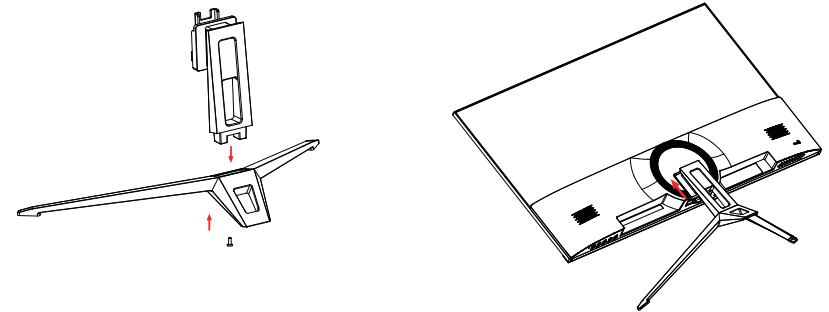
### 2. Installation of base

Take out the bracket and base first, and then open the upper cover.



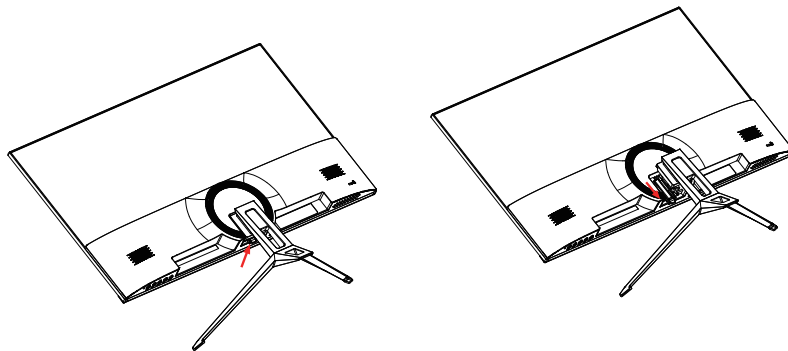
### Base installation steps:

- ① Align the bracket with the base, take out the matching screws and tighten them with a screwdriver.
- ② Fasten the stand into the rear shell in the direction of the arrow.



When it is necessary to disassemble the whole base, do the following steps ;

- ① Press down on the stand switch;
- ② Take the base out in the direction of the arrow



Simply hold the stand with hand to stand the monitor upright.

⚠ Note: During standing of the whole monitor, do not press the liquid crystal screen with hand to avoid damage to the screen.

